

“Stay Connected” with



Solar Power Components

a PennEngineering® Company



Heyco® Edge Clips

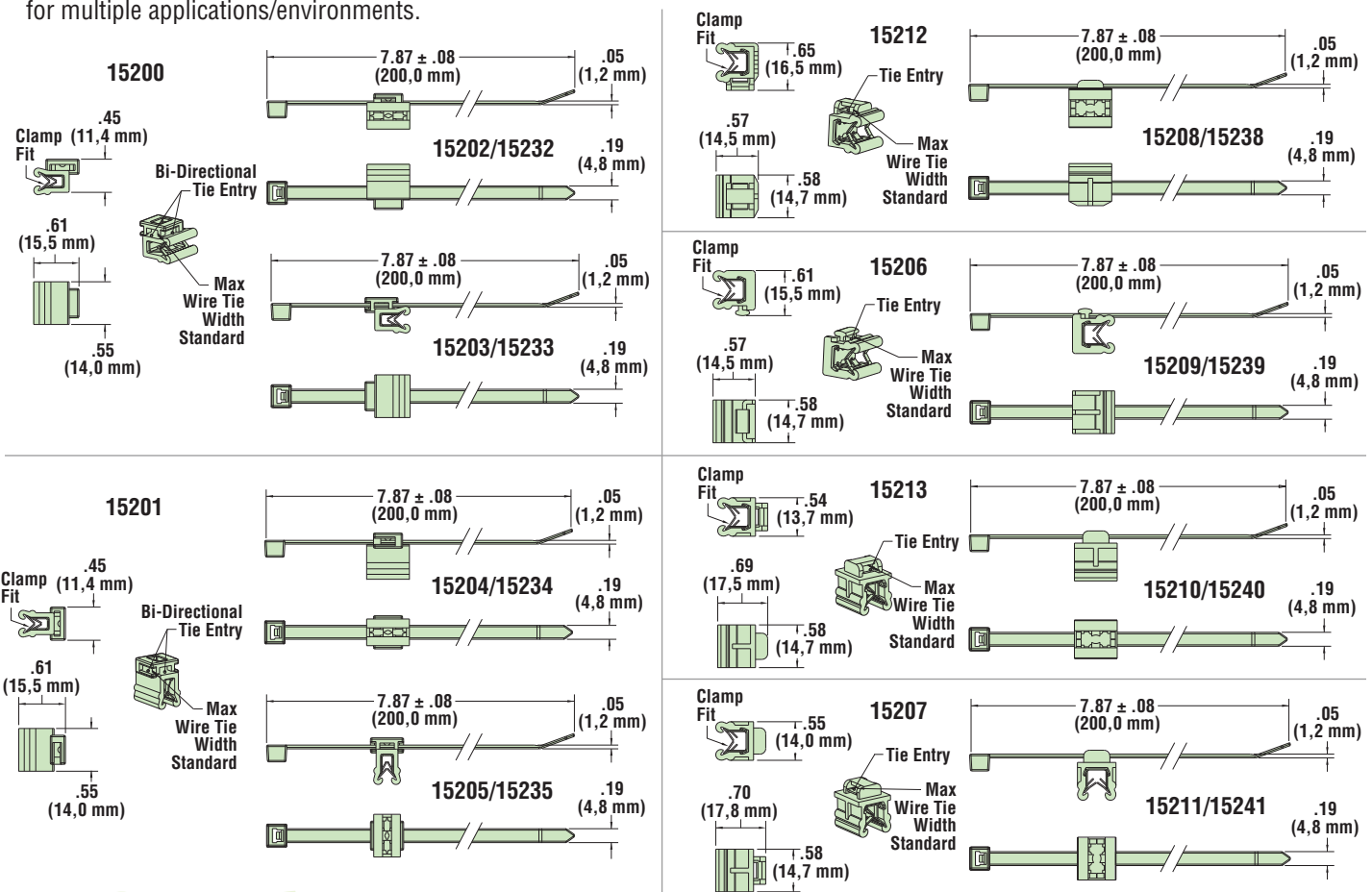
Unassembled or Assembled with 8" Cable Tie

- Steel clip provides high panel retention forces, while requiring low insertion force.
- Plastic housing ensures easy, ergonomic installation.
- Ideal solution for applications where holes are not available or temperatures are too extreme for adhesive solutions.
- Parallel orientation means the cable tie is parallel to the fixing edge.
- Perpendicular orientation means the cable tie is perpendicular to the fixing edge.
- Edge Clip housing is constructed from a Nylon 6/6 UV Resistant & Heat Stabilized material and supplied either by itself, with a Nylon 6/6 cable tie or Nylon 12 cable tie making them suitable for multiple applications/environments.

EDGE CLIP ONLY Fixing	Part No. Black	EDGE CLIP & PRE-ASSEMBLED CABLE TIE Cable Tie Orientation	Part No. UV Black Cable Tie	Part No. Nylon 12 Black Cable Tie	ASSEMBLED NYTYE CABLE TIE			
					Tensile Strength	Max. Bundle Diameter	Overall Length	
					Lbs. N	in. mm.	in. mm.	
For Panels from .04" (1,0 mm) to .12" (3,0 mm) Thick								
Side	15200*	Parallel	15202	15232	50	222	1.77 45,0	7.87 200
		Perpendicular	15203	15233				
Top	15201*	Parallel	15204	15234				
		Perpendicular	15205	15235				
For Panels from .12" (3,0mm) to .24" (6,0mm) Thick								
Side	15212	Parallel	15208	15238	50	222	1.77 45,0	7.87 200
	15206	Perpendicular	15209	15239				
Top	15213	Parallel	15210	15240				
	15207	Perpendicular	15211	15241				

Standard color black. For alternate materials or lengths, please contact Heyco.

*Bi-directional mounting platform allows for multiple orientations without the need for multiple SKUs.



Quick Specs

Material	Cable Tie: Nylon 6/6 or Nylon 12 Weather Resistant	Insert: Post nickel plated steel
Flammability Rating	Edge Clip: Nylon 6/6 UV Resistant and Heat stabilized	
Temperature Range	Nylon 6/6: 94V-2 Nylon 12: UL94HB	
	Cable Tie (Nylon 6/6): -40°F (-40°C) to 185°F (85°C)	Edge Clip: -.04°F (-18°C) to 221°F (105°C)
	Cable Tie (Nylon 12): -40°F (-40°C) to 248°F (120°C)	