

“Stay Connected” with



Power Components

a PennEngineering® Company

Heyco® Turn-2-Lock Cordset Contacts

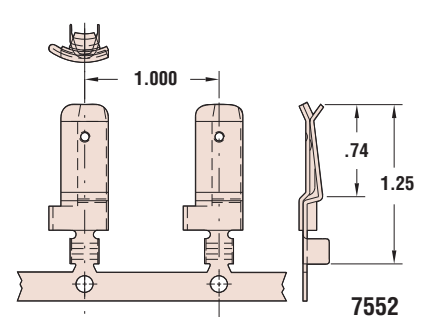
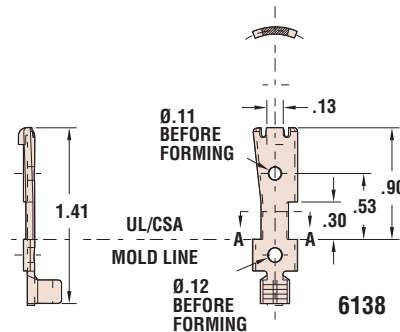
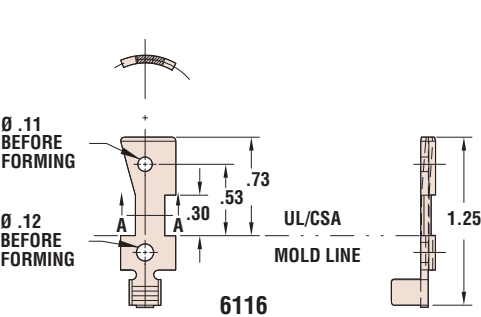
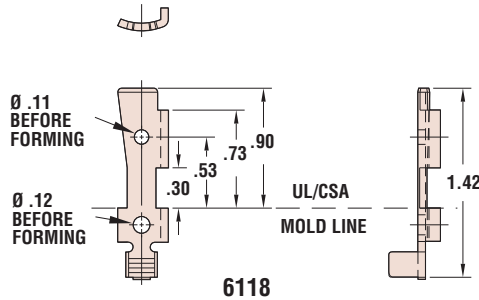
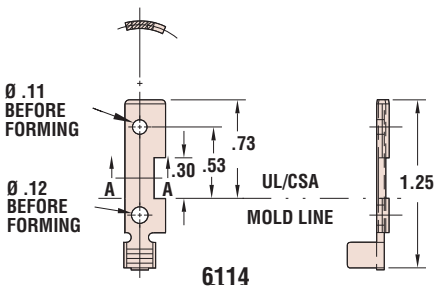
For Finished, Custom Turn-2-Lock Cord and Plug Sets, see section 9
20 Amp



| Type | PART DATA | | PART NO. | APPLICATION TOOLING* | | | | |
|-----------------------------------------------------------------------------|-----------|----------|-------------|----------------------|---------------|------------|-------------|-------|
| | AWG Range | Material | | Die** | Feeds | Tool Packs | Crimp Punch | Anvil |
| Male - for snap together Male Nylon Premold Bridges see page 8-20 | | | | | | | | |
| TL-L5-20-W† | 16-10 | Brass | 6114 | 6114UXX5 | Bulk | B958/B959 | C663 | C667 |
| TL-L5-20-B† | 16-10 | Brass | 6116 | 6116UXX5 | | | | |
| TL-L5-20-G | 16-10 | Brass | 6118 | 6118UXX5 | | | | |
| TL-L7-20-G | 16-10 | Brass | 6132 | 6132UXX5 | | | | |
| TL-L24-20-G | 16-10 | Brass | 6138 | 6138UXX5 | | | | |
| Female - for snap together Female Nylon Premold Shells see page 8-20 | | | | | | | | |
| TLR-L5-20 | 16-10 | Brass | 7552 | 7552UXX5 | Left to Right | B972L/B973 | C784 | C783 |

* Use the Heyco Universal Applicator Die (indicated by “U” in the Die Part No.), page 8-59.
 ** “XX” represents Wire Gauge. Please specify Wire Gauge when ordering.
 † Can be used for L7 and L24 configurations.

- Easy loading for increased molding efficiency.
- Use inexpensive Heyco load pins (consult Heyco for details on our complete line of blades and pins).
- Reduce PVC usage and allow more cavities per mold.
- All Ground blades feature 90° leg for twist-locking mechanism.
- .056” gauge material, cut-out shapes and radius are all UL Specified.
- DFARS Compliant



Materials Alloy 260 Brass (70% Cu, 30% Zn. Higher Cu content resists dezincification)
 6/6 Nylon

Quick Specs