

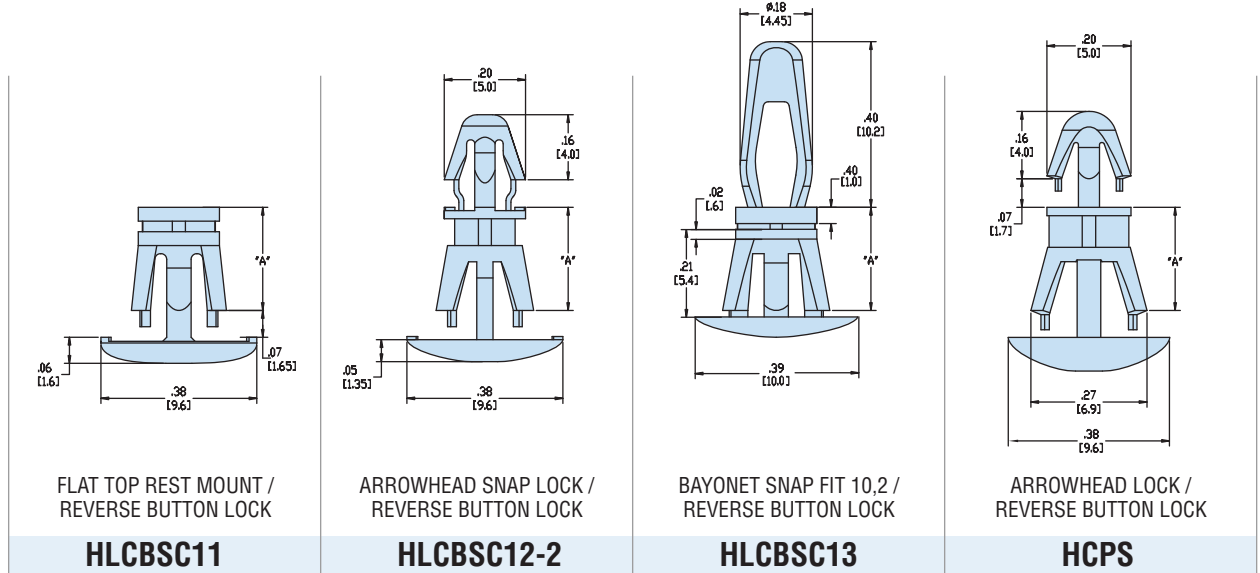
"Stay Connected" with



HEYware Products

a PennEngineering® Company

## Heyco® Nylon PCB Supports - Reverse Locking



	Maximum Thickness		Mounting Hole Diameter		Maximum Thickness		Mounting Hole Diameter		Maximum Thickness		Mounting Hole Diameter		Maximum Thickness		Mounting Hole Diameter	
	in.	mm.	in.	mm.	in.	mm.	in.	mm.	in.	mm.	in.	mm.	in.	mm.	in.	mm.
<b>PCB</b>	flat top rest mount				.062	1,6	.157	4,0	.062	1,6	.157	4,0	.062	1,6	.157	4,0
<b>Chassis</b>	.062	1,6	.212	5,4	.078	2,0	.212	5,4	.047	1,2	.236	6,0	.062	1,6	.216	5,5

A	PART NO.	DESCRIPTION	PART NO.	DESCRIPTION	PART NO.	DESCRIPTION	PART NO.	DESCRIPTION
.187					<b>10426</b>	HLCBSC13-03		
.250					<b>10427</b>	HLCBSC13-04		
.312					<b>10428</b>	HLCBSC13-05	<b>10845</b>	HCPS-05
.240	<b>10413</b>	HLCBSC11-06	<b>10420</b>	HLCBSC12-2-06	<b>10429</b>	HLCBSC13-06	<b>10846</b>	HCPS-06
.488	<b>10414</b>	HLCBSC11-7.8						
.500	<b>10415</b>	HLCBSC11-08	<b>10421</b>	HLCBSC12-2-08	<b>10430</b>	HLCBSC13-08	<b>10847</b>	HCPS-08
.625	<b>10416</b>	HLCBSC11-10	<b>10422</b>	HLCBSC12-2-10			<b>10848</b>	HCPS-10
.750	<b>10417</b>	HLCBSC11-12	<b>10423</b>	HLCBSC12-2-12	<b>10431</b>	HLCBSC13-12	<b>10849</b>	HCPS-12
.875	<b>10418</b>	HLCBSC11-14	<b>10424</b>	HLCBSC12-2-14			<b>10850</b>	HCPS-14
1.000							<b>10851</b>	HCPS-16
1.125							<b>10852</b>	HCPS-18
1.250							<b>10853</b>	HCPS-20
1.375							<b>10854</b>	HCPS-22
1.500							<b>10855</b>	HCPS-24

Standard color natural. For special order parts in UL 94V-0 natural material, add the suffix "F" to Part No.

\*Consult Heyco for HLCBSC11 in V-0 material.

Quick Specs

Material: Nylon 6/6  
 Flammability Rating: 94V-2  
 Temperature Range: -40°F (-40°C) to 185°F (85°C)